

Duodenovideoscope
TJF-Q170V

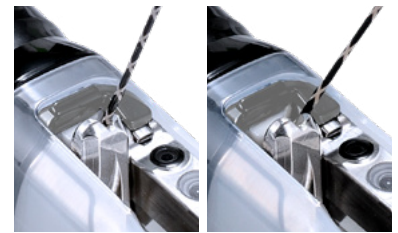
Supporting Your Standard of Care



Main Features

Guidewire Locking Capability

The unique V-groove on the forceps elevator securely locks the guidewire into position enabling locking of 0.035 and 0.025 inch guidewires.



High Force Transmission (HFT)

HFT, the scope handling technology designed to improve scope responsiveness in 190-series colonoscopes, is now incorporated into the TJF-Q170V.

Narrow Band Imaging (NBI)

Designed for facilitating the observation of capillaries and other structures on the mucosal surface. It helps physicians to see and identify suspicious tissue.

Single-use Distal Cover

The MAJ-2315 single-use distal cover is designed for improved visualization of and access to the distal end during reprocessing.



MAJ-2315 single-use distal cover for TJF-Q170V

Distal-end Flushing Adapter

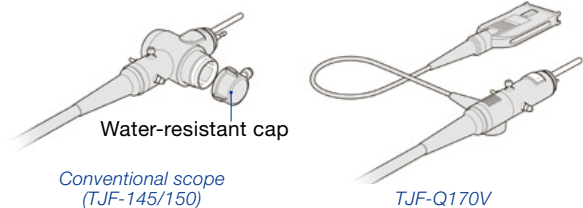
A first-of-its-kind, proprietary distal-end flushing adapter is designed for directed flushing to the elevator mechanism during reprocessing.



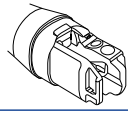
MAJ-2319 distal-end flushing adapter for TJF-Q170V


Waterproof Connector

The newly designed connector is fully submersible and therefore eliminates the need for a water-resistant cap, while decreasing the risk of damage due to accidental immersion.



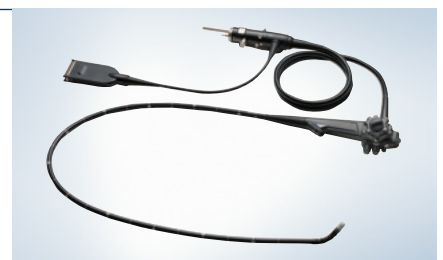
Specifications

Optical System	Field of view	100°
	Direction of view	Backward side viewing 15°
	Depth of field	5 to 60 mm
	Distal end outer diameter	13.5 mm
Insertion Section	Distal end enlarged	
	Insertion tube outer diameter	11.3 mm
	Working length	1,240 mm
Instrument Channel	Channel inner diameter	4.2 mm
	Minimum visible distance	10 mm from the distal end

Instrument Channel	Direction from which EndoTherapy accessories enter and exit the endoscopic image	
Bending Section	Angulation range	Up 120°
		Down 90°
		Right 110°
		Left 90°
Total Length	1,560 mm	
Compatible Systems	EVIS X1 VIDEO SYSTEM CENTER OLYMPUS CV-1500	
	OLYMPUS CV-170 VIDEO SYSTEM CENTER	

Ordering Information

Order Number	Description	Units	Quantity
TJF-Q170V	170-series Duodenovideoscope	EA	1 PC
MAJ-2315	Single Use Distal Cover	CAS	20 PC
MAJ-2319	Distal-end Flushing Adapter	EA	1 PC
MAJ-2358	Connecting Tube for OER-AW	EA	1 PC



DUODENOVIDEOSCOPE OLYMPUS TJF-Q170V

Specifications, design and accessories are subject to change without any notice or obligation on the part of the manufacturer.